

Rotary union

8 Channels

Typ DDF-8

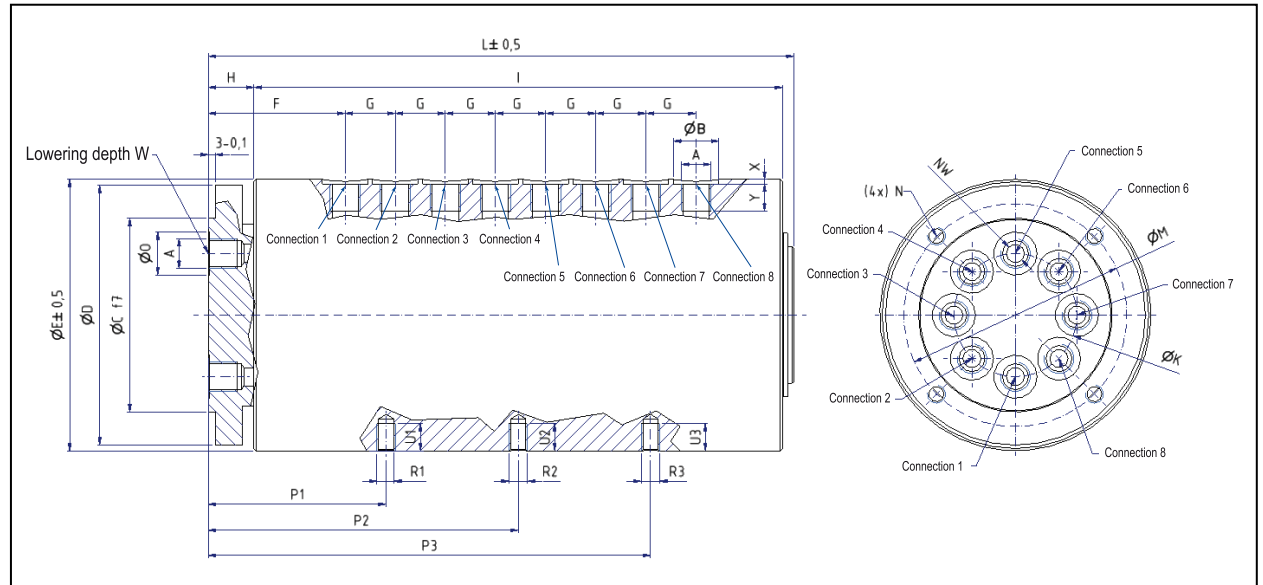
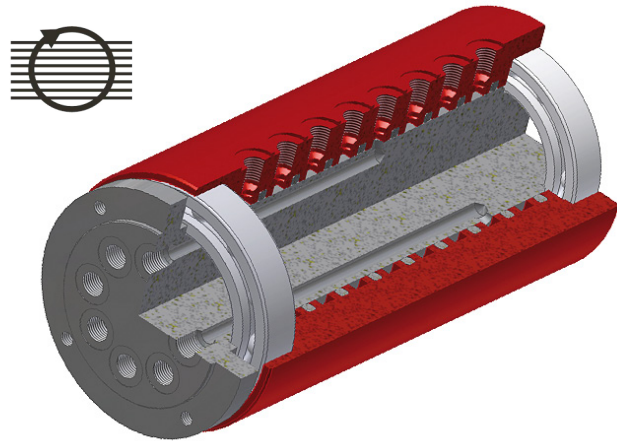
General data

Pressure*: -0,9 bar / 16 bar
on request: 100 bar

Temperature*: 0°C / +80°C
enlarged temperature range on request

Seal material: NBR
other seal materials on request (e.g. FKM)

Art.-No.	Type	Channels	Flow (per channel)	Weight	Middle Torque**	Rotation* (rpm)
ZK5494-A	DDF-8-M5	8	150 l/min	3,8 kg	12 Nm	200
ZK5513-A	DDF-8-1/8	8	600 l/min	7,9 kg	25 Nm	120
ZK5514-A	DDF-8-1/4	8	1.300 l/min	11,9 kg	30 Nm	100
ZK5515-A	DDF-8-1/2	8	3.500 l/min	31,5 kg	45 Nm	80



All Rotary unions are available in stainless steel
(Art.-No.... -H)

Art.-no.	A	B	C	D	E	F	G	H	I	K	L	M	N	O	NW	P1	R1	U1	P2	R2	U2	P3	R3	U3	W	X	Y
ZK5494-A	M5	9	50	69	79	52	16	20	174	30	198	59	M6	9	3	67	M8	8	107,0	M8	8	147	M8	8	0,5	1,0	5,5
ZK5513-A	G1/8"	16	72	99	109	56	18	20	196	44	222	84	M8	16	6	69	M8	12	118,0	M8	12	167	M8	12	0,5	1,5	8,0
ZK5514-A	G1/4"	20	85	114	119	60	22	20	232	54	257	98	M8	19	8	78	M8	12	136,0	M8	12	194	M8	12	0,5	2,0	12,0
ZK5515-A	G1/2"	28	113	144	159	69	33	23	327	79	358	126	M10	28	15	110	M8	12	186,5	M8	12	260	M8	12	0,5	2,8	14,0

Rotary union

General information

Application

Rotary unions distributors are used as a connection between stationary and rotating machinery elements.

The 1-Channel-series (DDF-1) offers an optimum in flexibility for your installation, because of its radial and axial exit.

The multiple series offers the corresponding number of channels for the transmission of medium. Different or several media can be transmitted through (requires clarification with Konstandin GmbH).

Assembly / Usage

The fastening bores of the rotary union can be used to lock the unit against rotation, but they can not be used to tie it.

Fast oscillate motions (that means, changes in direction less than 2 sec.) are reducing the life time of about 50 %.

In order to avoid an overheating of the rotary union (>80°C / >100°C – depending on version) the flow quantity of the medium has to be sufficient all time.

At passage of different or several media through the rotary union an outleak line will be necessary for security. Please contact our Technical Division.

Special constructions are generally possible.

Service

All rotary unions are checked before shipment. This inspection ensures the faultless condition of the unit when receiving it, so that it can be installed on time.

General information

Pressure*	-0,9 bar / 16 bar on request: 40 bar 1 Channel (Type DDF-1) 100 bar multiple series other pressure range
Temperature*	0°C / +100°C 1 Channel (Type DDF-1) 0°C / + 80°C multiple series enlarged temperature range on request
Medium	compressed air, vacuum on request: hydraulic oil, water, other / different media
Filtering	liquid media: 5 µm gaseous media: 30 µm
Material	housing: aluminium - red anodized optionally stainless steel (Art-No.... -H) spindle: stainless steel

Warranty

Konstandin GmbH guarantees the faultless condition concerning material and fashioning of the delivered products. The warranty period and responsibility are established in legal rights.

We give a 6-month guarantee (from delivery) for sealing components and expendable parts when using the rotary unions due to our operating conditions.

The responsibility for resend rotary unions is explicitly limited on replacement and repair of the unit or parts of it, which are definitely faulty.

Konstandin GmbH is not responsible for damaging after effects, which can result out the usage of such faulty elements.

The warranty goes out in case the rotating unit has been dismantled, changed or damaged because of improper treatment.