

Standard-cylinder series


Piston rod cylinder

Piston DIA from 32 - 125 mm



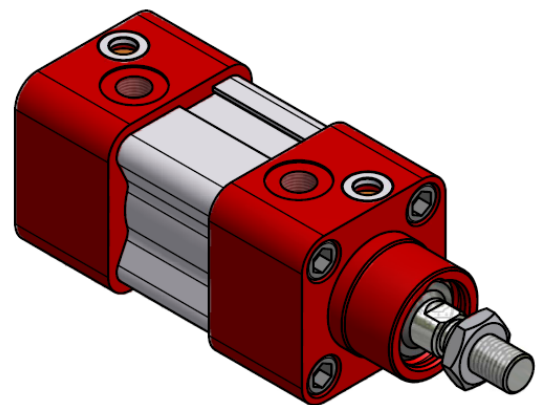
Typ: **TQZ*** according to ISO 15 552 (ISO 6431)

This high-quality technical cylinder series under our own
 *TQZ (top quality cylinder) label is structurally flexible,
 functionally precise and available in any stroke size at short notice.

General data	
Design:	single acting / double acting
Stroke:	any up to 2000 mm others on request
Nominal pressure:	p_n 6 bar
Working pressure:	p_{min} 0,5 bar P_{max} 10 bar
Temperature range:	Environment: -20°C to +80°C Medium: max +80°C extended temperature ranges on request High temperature up to 150 ° C Low temperature down to -40 ° C
Medium:	filtered and oiled compressed air, filtered and unlubricated compressed air
Connection type:	screw thread
Mounting position:	possible
Fixing type:	possible
 ATEX:	any

Material	
Cover:	Aluminum, red anodized
Ground:	Aluminum, red anodized
Profile tube:	Aluminum, anodized
Piston:	aluminum
Piston rod:	Steel, hard chrome-plated
anchor bolts:	stainless steel
screw nut:	Galvanized steel

Scope of delivery
The cylinder is always supplied with a piston magnet. Thus, a position detection via magnetic switches, the on the T-profile or dovetail grooves of the Cylinder can be attached, always possible. The magnetic switches are not included in the scope of delivery, please order separately.



variants
<ul style="list-style-type: none"> • Precisely adjustable end position cushioning • Flange connection • one-sided air connection, also on the front • through piston rod • Metal scraper • Pivot bearing pin on the lid or bottom • Pivot bearing bores on the lid or bottom • High temperature • Low temperature • for outdoor use • Displacement measuring system • Smooth running property Breakaway pressure, e.g. < 0,07 bar • Etc <p>Lid and base are made of solid material, so almost every variant and special solution is possible</p>

Standard-cylinder series

Piston rod cylinder

Piston DIA from 32 - 125 mm



Typ: TQZ* according to ISO 15 552 (ISO 6431)

drawing

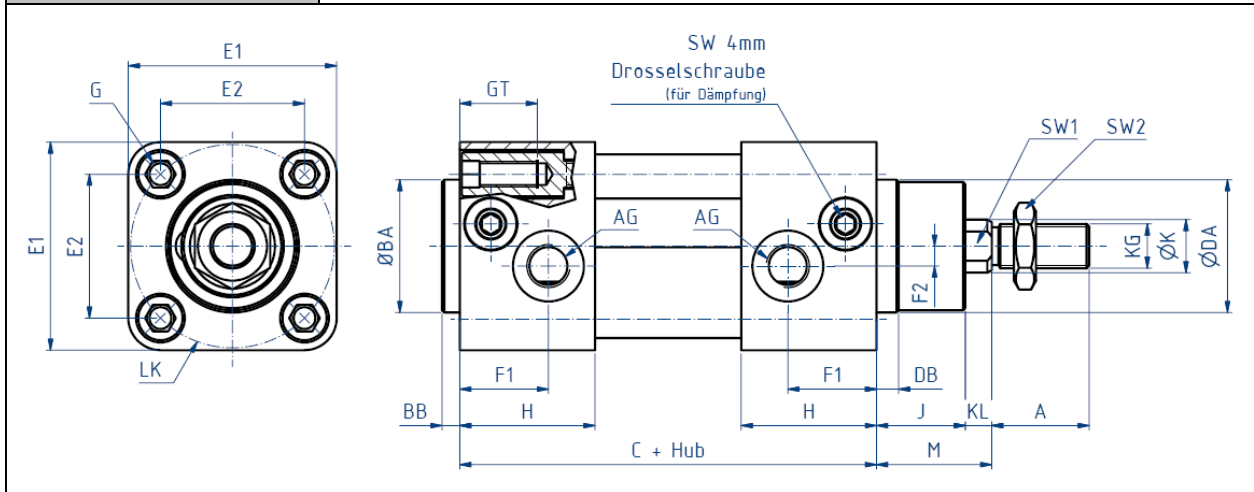


Table with dimensions

Art.-no.	Cyl. ø	A	AG	øBA d11	BB	C (+Hub)	øDA d11	DB	E1	E2	F1	F2	G	GT	H	J	øK	KG	KL	øLK ±0,2	M	SW 1	SW 2
ZK2100	32	22	1/8	30	4	94	30	5	47	32,5	20	4,5	M6	17,5	30,5	20	12	M10x1,25	6	46,0	26	10	17
ZK2101	40	24	1/4	35	4	105	35	4,5	55	38	14,5	5,3	M6	17,5	34	20,5	16	M12x1,25	6,5	53,7	30	13	19
ZK2102	50	32	1/4	40	4	106	40	6	65	46,5	16	8,5	M8	17,5	31	28	20	M16x1,5	8	65,8	37	17	24
ZK2103	63	32	3/8	45	4	121	45	6	78	56,5	16	8	M8	17,5	33	26	20	M16x1,5	8	79,9	37	17	24
ZK2104	80	40	3/8	45	4	128	45	6	95	72	20,5	9	M10	19,5	35,5	32,5	25	M20x1,5	10	101,8	46	22	30
ZK2105	100	40	1/2	55	4	138	55	6	115	89	19	13	M10	19,5	37	37,5	25	M20x1,5	10	125,9	51	22	30
ZK2106	125	54	1/2	60	5	160	60	5	140	110	20	11	M12	22,5	45	45	32	M27x2	13	155,6	65	27	41

drawing of pivot bolt attachment cover (ZK210x-SO-03)

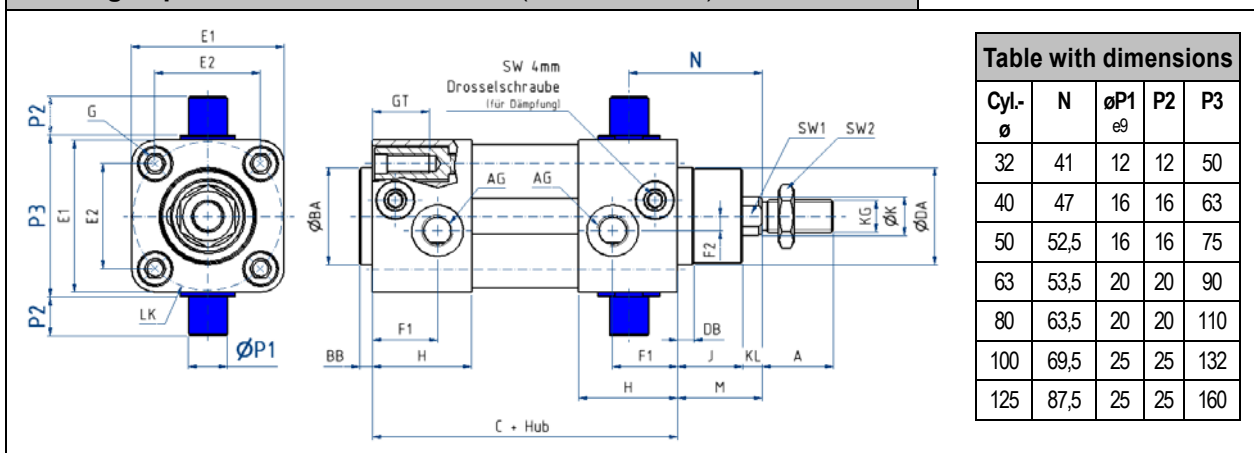


Table with dimensions

Cyl.-ø	N	øP1 e9	P2	P3
32	41	12	12	50
40	47	16	16	63
50	52,5	16	16	75
63	53,5	20	20	90
80	63,5	20	20	110
100	69,5	25	25	132
125	87,5	25	25	160

Standard-cylinder series

Piston rod cylinder

Piston DIA from 32 - 125 mm



Typ: TQZ* according to ISO 15 552 (ISO 6431)

Drawing of swivel pin fastening to the floor (ZK210x-SO-04)

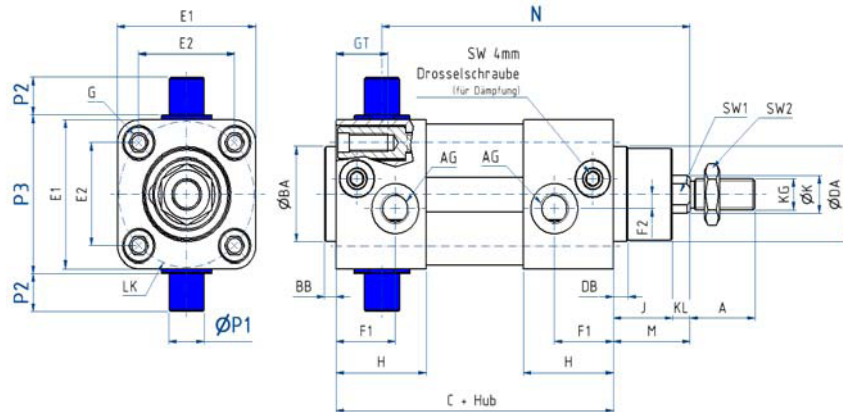


Table with dimensions

Cyl.- ø	N	øP1 e9	P2	P3
32	104,5	12	12	50
40	118	16	16	63
50	127,5	16	16	75
63	141,5	20	20	90
80	156,5	20	20	110
100	170,5	25	25	132
125	202,5	25	25	160

Drawing: Attachment of the swivel socket on the cover (ZK210x-SO-06)

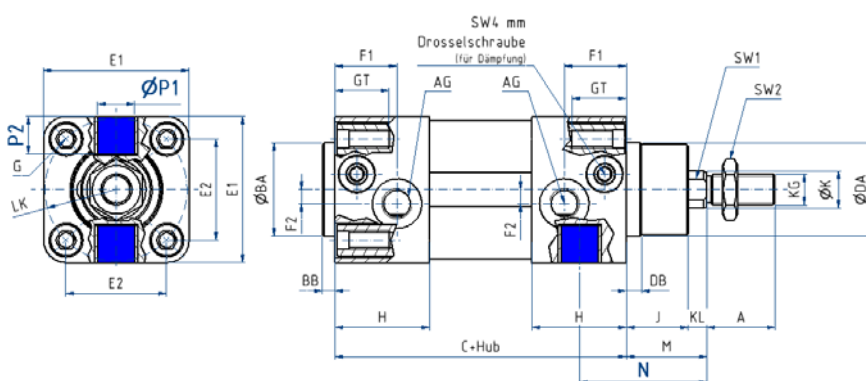


Table with dimensions

Cyl.- ø	N	øP1 H7	P2
32	41	12	12
40	47	16	16
50	52,5	16	16
63	53,5	20	20
80	63,5	20	20
100	69,5	25	25
125	87,5	25	25

Drawing: Attachment of the swivel socket to the floor (ZK210x-SO-07)

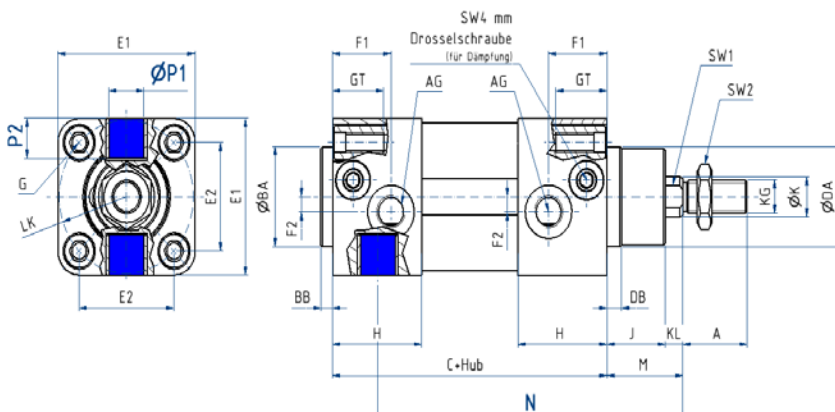


Table with dimensions

Cyl.- ø	N	øP1 H7	P2
32	104,5	12	12
40	118	16	16
50	127,5	16	16
63	141,5	20	20
80	156,5	20	20
100	170,5	25	25
125	202,2	25	25

Standard-cylinder series

Piston rod cylinder

Piston DIA from 32 - 125 mm



Typ: **TQZ*** according to ISO 15 552 (ISO 6431)

Service:

All cylinders are checked for leaks and functionality before dispatch. This test ensures that the cylinders are in perfect condition upon receipt so that they can be installed immediately.

Warranty:

Konstandin GmbH guarantees the faultless condition concerning material and fashioning of the delivered products. The warranty period and responsibility are established in legal rights.
On sealing elements and wear parts we give a six-month warranty (from delivery) provided the cylinder is used in accordance with the conditions described.
The intended use is only given if the cylinder complies with the technical data for Movement of loads and / or exertion of a force in the direction of the piston rod is used.
The responsibility for resend cylinder is explicitly limited on replacement and repair of the union or parts of it, which are definitely faulty.
Konstandin GmbH is not responsible for damaging after effects, which can result out the usage of such faulty elements. The warranty goes out in case the rotary union has been dismantled, changed or damaged because of improper treatment.